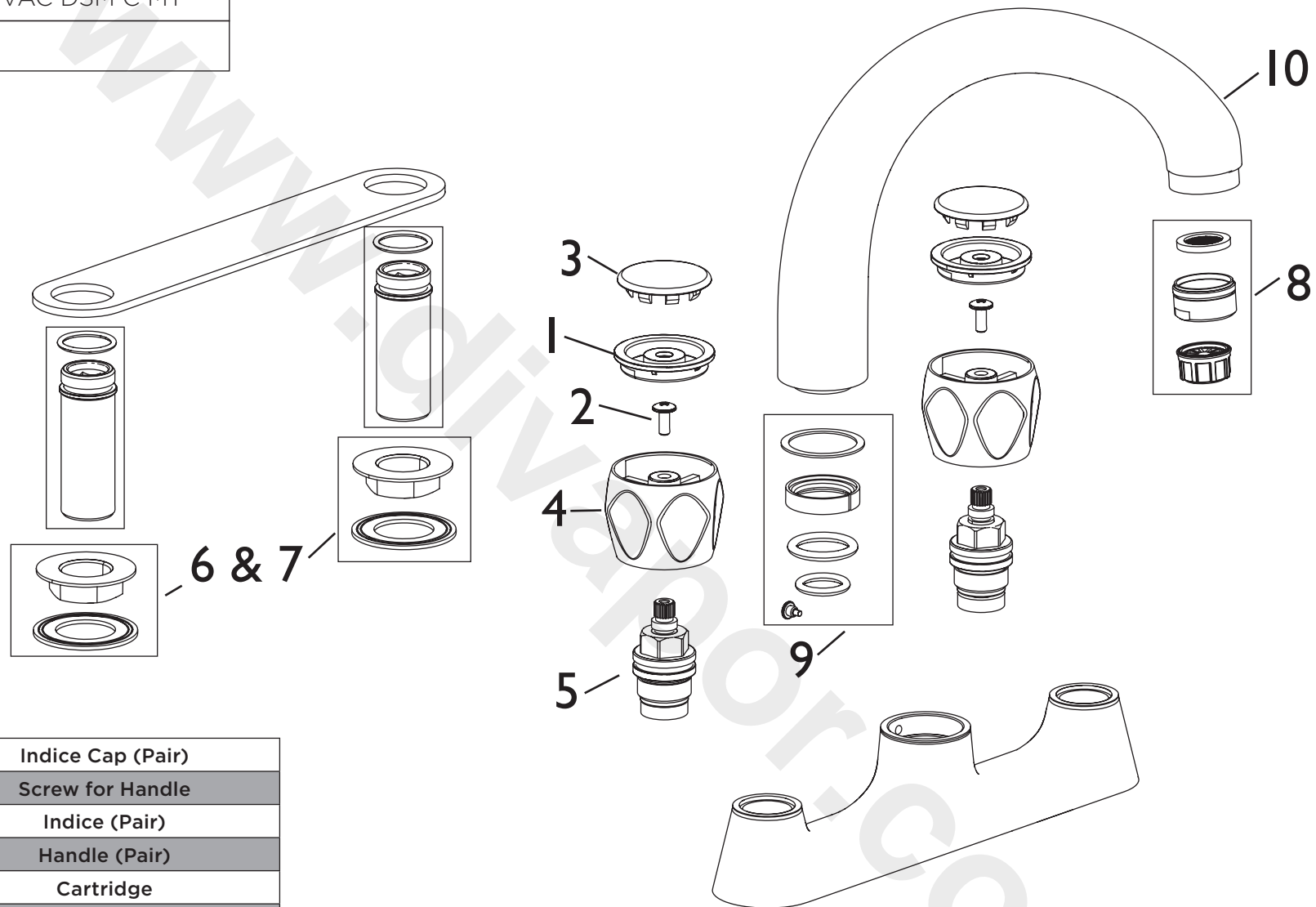


Product Code: VAC DSM C MT
Revision: D2



| | |
|-------|-------------------|
| 1 | Indice Cap (Pair) |
| 2 | Screw for Handle |
| 3 | Indice (Pair) |
| 4 | Handle (Pair) |
| 5 | Cartridge |
| 6 & 7 | Backnut & Washer |
| 8 | Anti-Splash |
| 9 | Spout Fixing Kit |
| 10 | Spout |